

VIT-AVR

	Air Vent Valve		Ansi 150 / Ansi 300		Flanged
---	----------------	---	---------------------	---	---------

Standard Features*

- Type: Air Vent Valve
- Design: ANSI 150 - ANSI 300
- Connection: Flanged
- Max. Working Pressure: 20 bar / 50 bar
- Flange Rating: ASME B16.5
- Hydrotest: According to EN 12266 / API 598
- Operation: Automatic
- Special Version: Air Vent with Conveyed Outlet Pipe



Standard Materials*

Part	Material Standard
Body	1) Stainless Steel CF3M 2) Duplex Stainless Steel 4A 3) Super Duplex Stainless Steel A995 5A
Bonnet	1) Stainless Steel CF3M 2) Duplex Stainless Steel 4A 3) Super Duplex Stainless Steel A995 5A
Ball	1) Stainless Steel 316L 2) Duplex Stainless Steel 31803 3) Super Duplex Stainless Steel 32750
Seal	1) Viton 2) Viton 3) Viton

*Other pressure ratings, design options, diameters & materials are available upon request. Customized drawings with proper requested options to rely on will be provided below in case of special requests



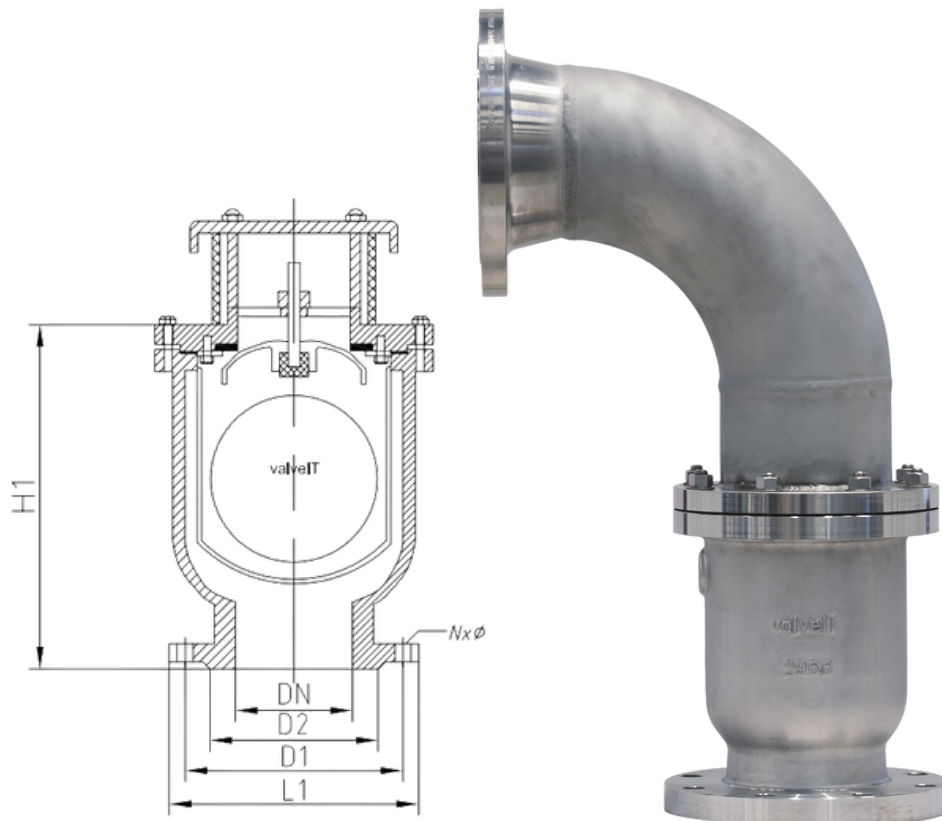
VIT-AVR

	Air Vent Valve		Ansi 150 / Ansi 300		Flanged
---	----------------	---	---------------------	---	---------

Standard Dimensions*

ANSI 150					
DN	L1	D1	D2	N. x Ø	H1
25	108	79.5	51	4 - 15 Ø	170
50	152	120.5	92	4 - 19 Ø	188
80	190	152.5	127	4 - 19 Ø	200
100	229	190.5	157	8 - 19 Ø	235
150	279	241.5	216	8 - 23 Ø	325
200	343	298.5	270	8 - 23 Ø	400
250	406	362	324	12 - 25 Ø	490
300	483	432	381	12 - 25 Ø	540

*Shown Dimensions refer to standard ANSI 150 Valves Flanged RF without Conveyed Outlet Pipe. Customized drawings with proper requested options to rely on will be provided below in case of different requests. Standard dimensions showed are subject to change without any prior notice basing on company design standard updates (On purchase order basis, drawings with final dimensions & material will be provided below before starting the manufacturing process).



VIT-AVR

	Air Vent Valve		Ansi 150 / Ansi 300		Flanged
---	----------------	---	---------------------	---	---------

Standard Dimensions*

ANSI 300					
DN	L1	D1	D2	N. x Ø	H1
25	124	89	51	4 - 19 Ø	170
50	165	127	92	8 - 19 Ø	188
80	210	168	127	8 - 23 Ø	200
100	254	200	157	8 - 23 Ø	235
150	318	270	216	12 - 23 Ø	325
200	381	330	270	12 - 25 Ø	400
250	445	387.5	324	16 - 30 Ø	490
300	521	451	381	16 - 33 Ø	540

*Shown Dimensions refer to standard ANSI 300 Valves Flanged RF without Conveyed Outlet Pipe. Customized drawings with proper requested options to rely on will be provided below in case of different requests. Standard dimensions showed are subject to change without any prior notice basing on company design standard updates (On purchase order basis, drawings with final dimensions & material will be provided below before starting the manufacturing process).

